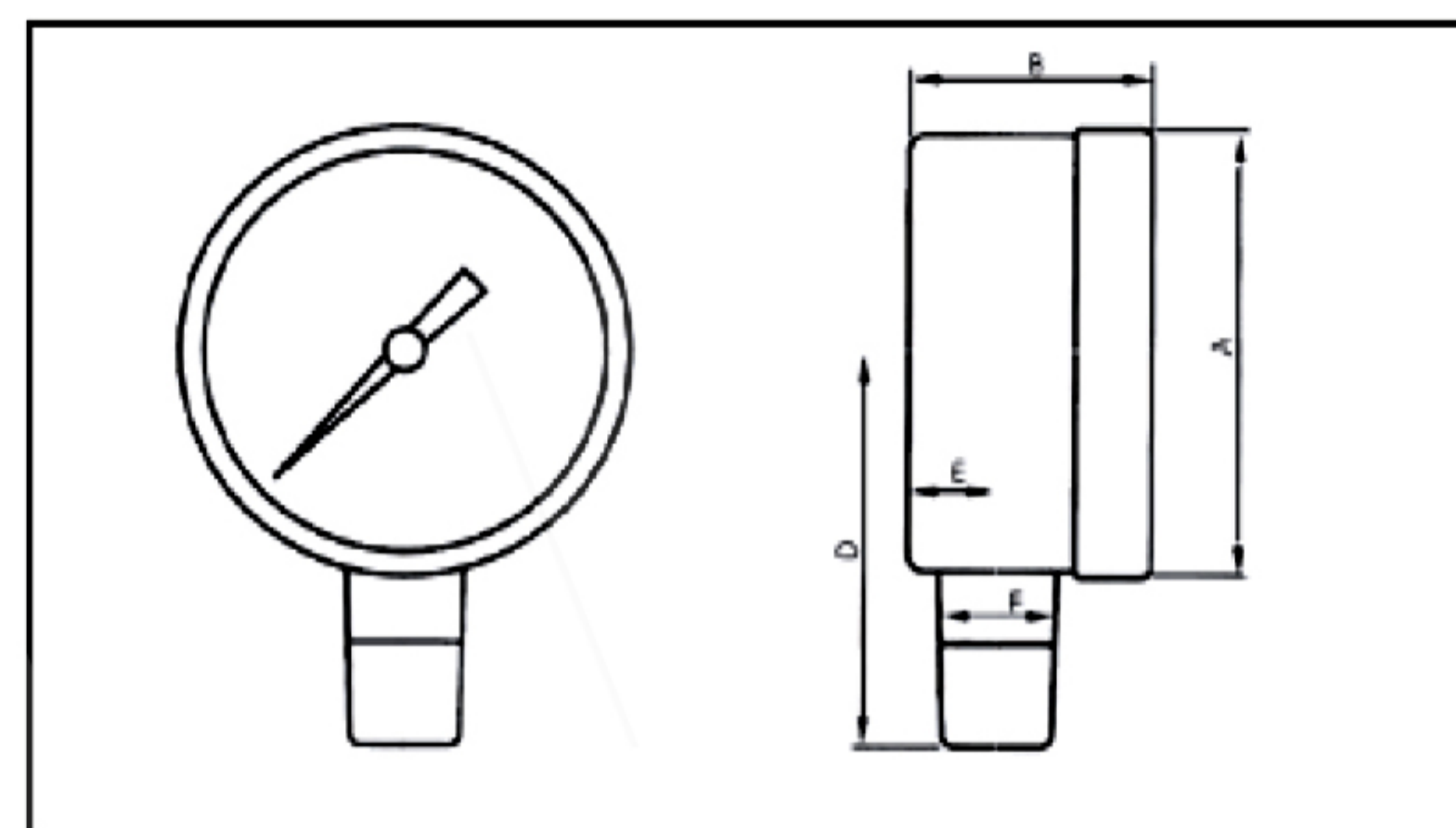


MODEL: PG-71



Features:

- Working Pressure: Min. 25% of the full scale value
Max. 75% of the full scale value
- Ambient Temperature: -25~+65 °C
- Radial Type



Material:

No.	Part	Material
1	Case	Black Steel
2	Bezel	Black Steel
3	Window	Glass
4	Corrugated Pipe	Phosphor Bronze
5	Machine Core	Brass

Range:

kg/cm ²	4	7	10	16	20	30	50	100	150	200	250	300	350	400	450	500
--------------------	---	---	----	----	----	----	----	-----	-----	-----	-----	-----	-----	-----	-----	-----

Unit : mm

Model	SIZE	A	B	D	E	F	BSPT
PG71-2 1/2"	2 1/2"	63	28	50.7	10.5	14 X 14	1/4"
PG71- 4"	4"	100	43	80	12.5	17 X 17	3/8" 1/2"
PG71- 6"	6"	150	48	112	18	17 X 17	1/2"
PG71- 8"	8"	200	48	136	22	17 X 17	1/2"